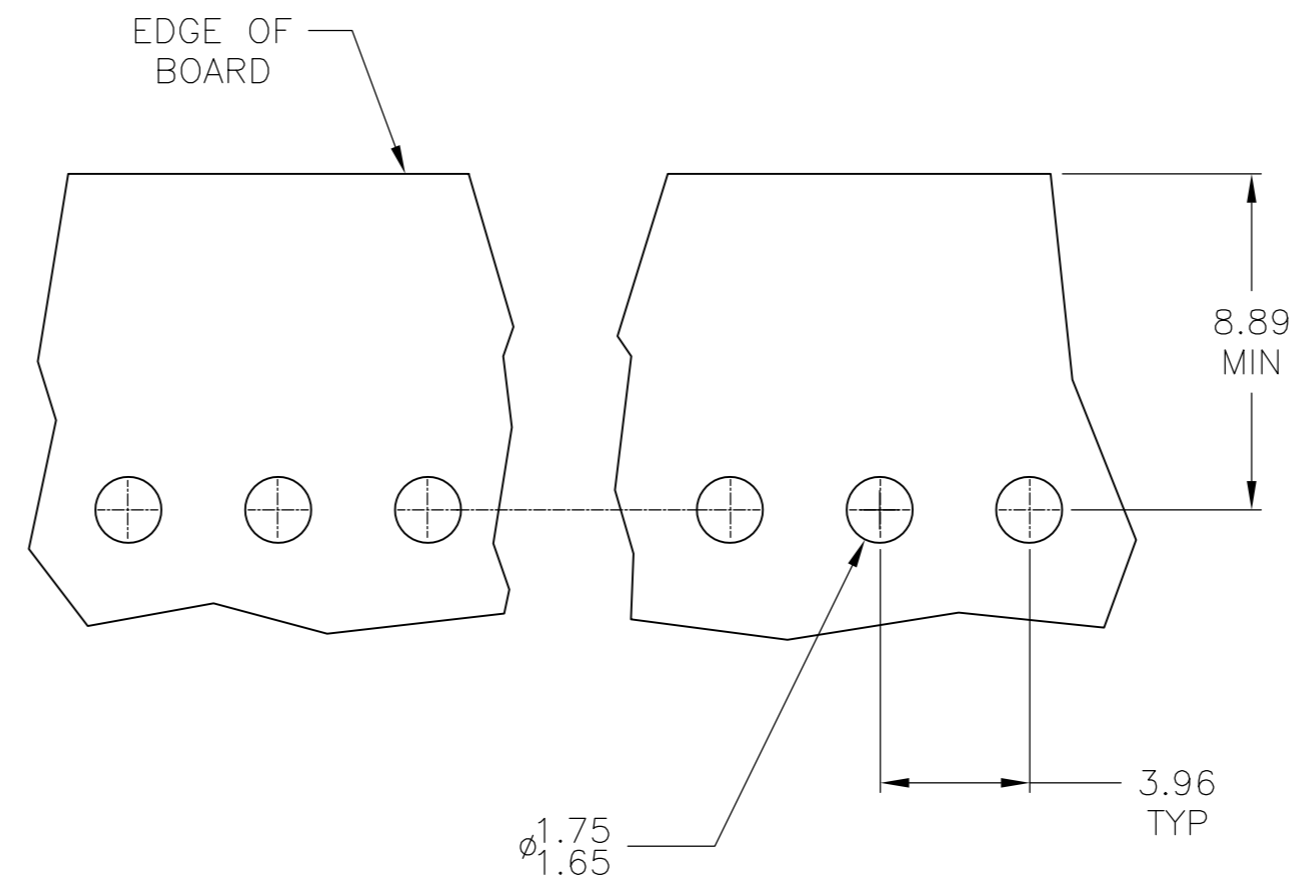
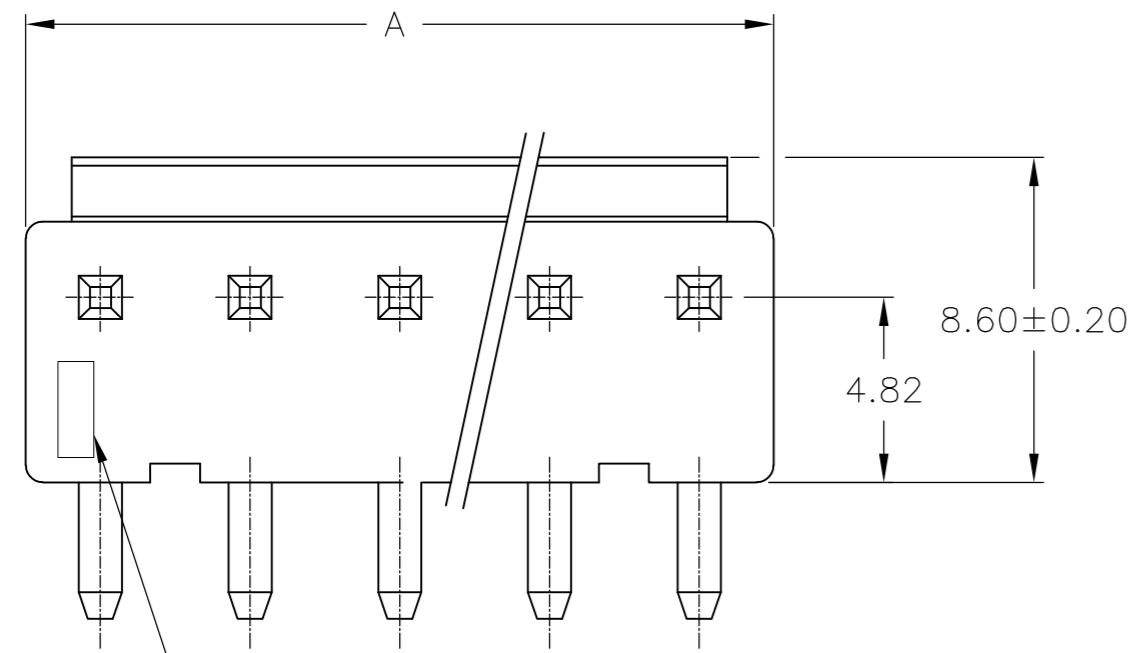
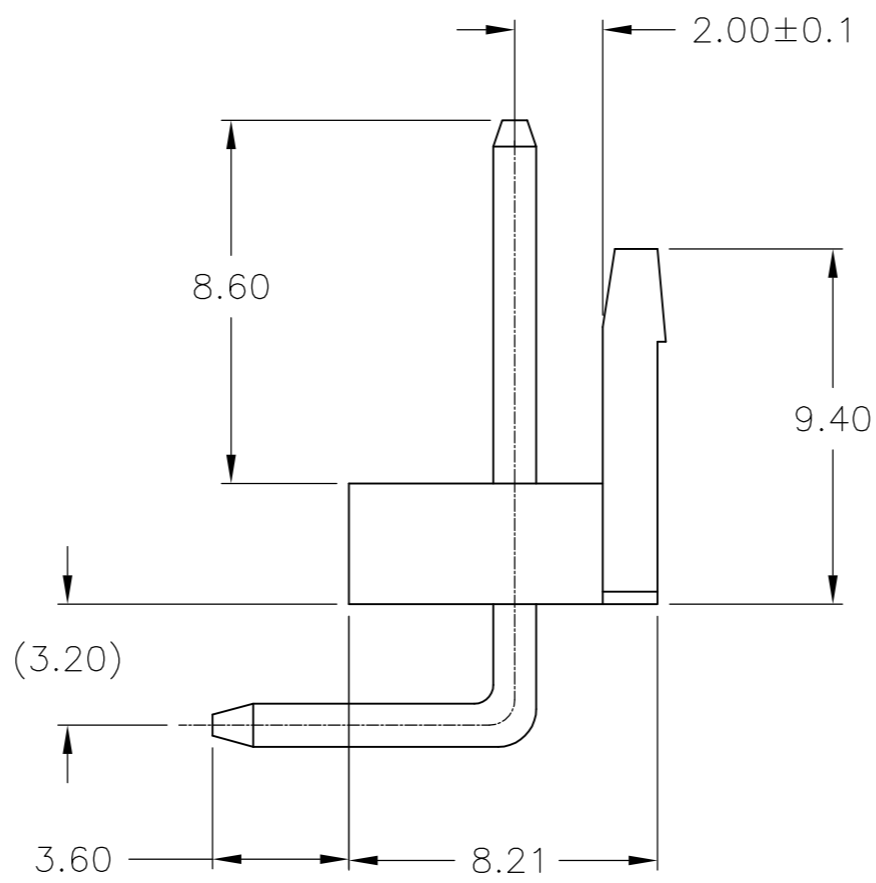
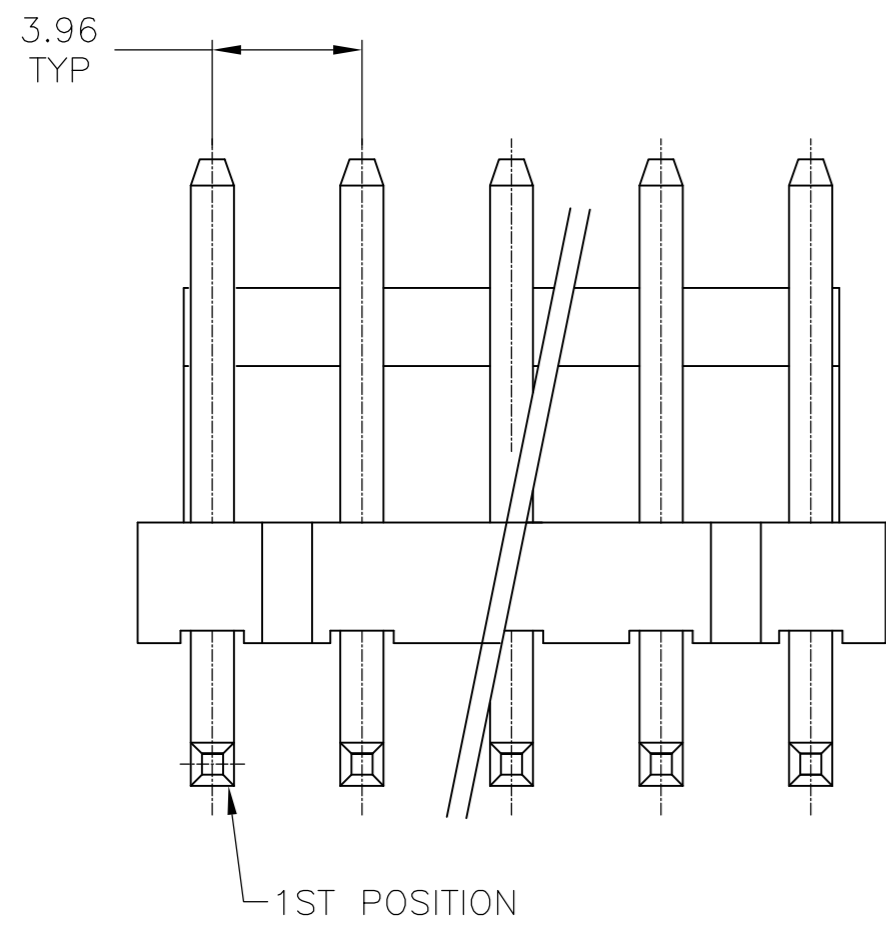


THIS DRAWING IS UNPUBLISHED. RELEASED FOR PUBLICATION
 © COPYRIGHT - By - ALL RIGHTS RESERVED.

LOC		DIST		REVISIONS			
P	LTR	DESCRIPTION		DATE	DWN	APVD	
CM	00	B		REVISED PER ECO-12-007409	20JUL12	KH SM	



- 1 MATERIAL :
 HOUSING : THERMOPLASTIC Nylon66UL94V-0.
 WHITE COLOR.
 CONTACT : BRASS.
- 2 FINISH:
 CONTACT : 80u" MIN. TIN PLATED ON
 CONTACT AREA.



47.52	12	1-647676-2
43.56	11	1-647676-1
39.60	10	1-647676-0
35.64	9	647676-9
31.68	8	647676-8
27.72	7	647676-7
23.76	6	647676-6
19.80	5	647676-5
15.84	4	647676-4
11.88	3	647676-3
7.92	2	647676-2
DIM. A CIRCUITS		PART NUMBER

METRIC

THIS DRAWING IS A CONTROLLED DOCUMENT.		DWN	K. WHITAKER	22JUL04	 TE Connectivity
DIMENSIONS:		CHK	D. BOSSI	22JUL04	
mm		APVD	D. BOSSI	22JUL04	
TOLERANCES UNLESS OTHERWISE SPECIFIED:		NAME		ASSEMBLY, EP HEADER, RIGHT ANGLE	
0 PLC	± 0.3	PRODUCT SPEC			
1 PLC	± 0.25	APPLICATION SPEC			
2 PLC	± 0.12	WEIGHT		-	
3 PLC	± 0.05	SCALE		A2 00779 C-647676	
4 PLC	± -	SHEET		1 of 1	
ANGLES	± 3'0"	REV		B	
MATERIAL		CUSTOMER DRAWING			